

Technical data sheet

Product features



Cooking range gas with gas oven

Model	SAP Code	00014803
SPST 7120A/21 G	A group of articles - web	Stoves



- Device type: Gas unit
- Power consumption of the zone 1 [kW]: 8,5
- Power consumption of the zone 2 [kW]: 8,5
- Power consumption of the zone 3 [kW]: 8,5
- Power consumption of the zone 4 [kW]: 8,5
- Power consumption of the zone 5 [kW]: 4
- Power consumption of the zone 6 [kW]: 4
- Ignition: Eternal flame
- Type of internal part of the appliance 1 (eg oven): Gas
- Type of internal part of the appliance 2 (eg oven): Static
- Material: AISI 304 top plate and cladding

SAP Code	00014803	Power consumption of the zone 1 [kW]	8,5
Net Width [mm]	1200	Power consumption of the zone 2 [kW]	8,5
Net Depth [mm]	730	Power consumption of the zone 3 [kW]	8,5
Net Height [mm]	900	Power consumption of the zone 4 [kW]	8,5
Net Weight [kg]	136.70	Power consumption of the zone 5 [kW]	4
Power gas [kW]	48.000	Power consumption of the zone 6 [kW]	4
Type of gas	Natural gas, propane butane	Type of internal part of the appliance 1 (eg oven)	Gas
Number of zones	6	Type of internal part of the appliance 2 (eg oven)	Static

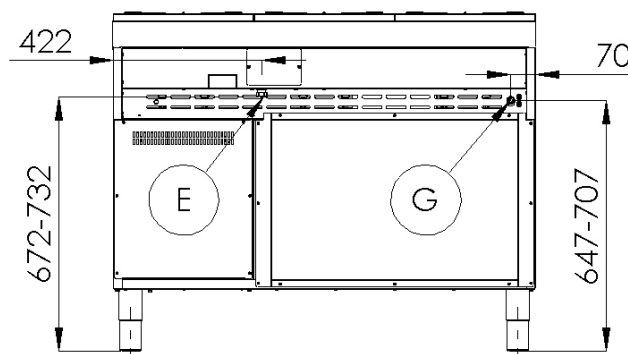
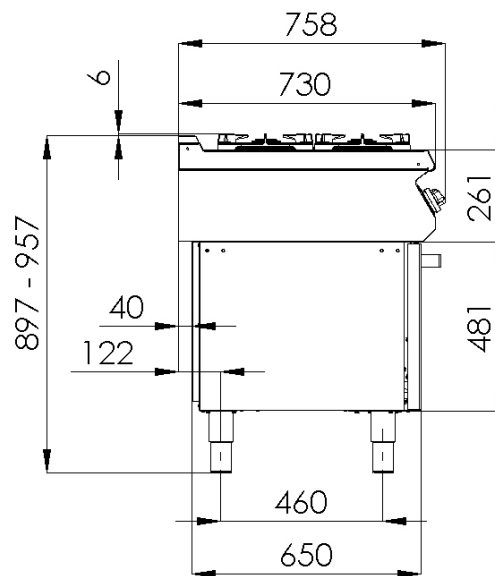
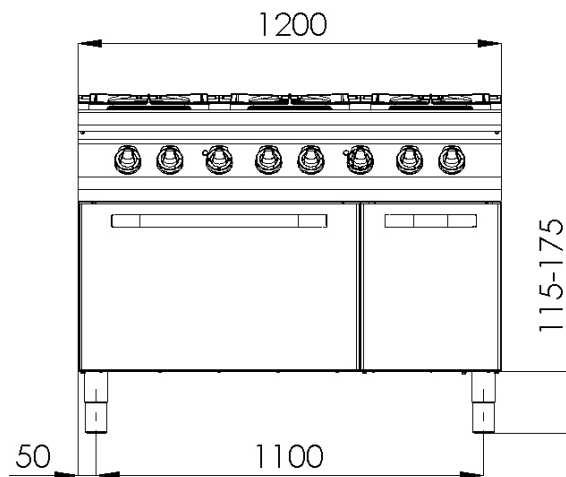
Technical data sheet

Technical drawing



Cooking range gas with gas oven

Model	SAP Code	00014803
SPST 7120A/21 G	A group of articles - web	Stoves



Technical data sheet

Technical parameters



Cooking range gas with gas oven

Model	SAP Code	00014803
SPST 7120A/21 G	A group of articles - web	Stoves

1. SAP Code:

00014803

2. Net Width [mm]:

1200

3. Net Depth [mm]:

730

4. Net Height [mm]:

900

5. Net Weight [kg]:

136.70

6. Gross Width [mm]:

1260

7. Gross depth [mm]:

820

8. Gross Height [mm]:

1080

9. Gross Weight [kg]:

154.00

10. Device type:

Gas unit

11. Construction type of device:

Stationary

12. Power gas [kW]:

48.000

13. Ignition:

Eternal flame

14. Type of gas:

Natural gas, propane butane

15. Exterior color of the device:

Stainless steel

16. Material:

AISI 304 top plate and cladding

17. Worktop type:

Molded - comfortable cleaning maintenance

18. Worktop material:

AISI 304

19. Worktop Thickness [mm]:

1.50

20. Number of zones:

6

21. Power consumption of the zone 1 [kW]:

8,5

22. Power consumption of the zone 2 [kW]:

8,5

23. Power consumption of the zone 3 [kW]:

8,5

24. Power consumption of the zone 4 [kW]:

8,5

25. Power consumption of the zone 5 [kW]:

4

26. Power consumption of the zone 6 [kW]:

4

27. Grid material:

Cast iron

28. Service accessibility:

Trough the frontal panel

Technical data sheet

Technical parameters



Cooking range gas with gas oven

Model	SAP Code	00014803
SPST 7120A/21 G	A group of articles - web	Stoves

29. Safety thermocouple:

Yes

30. Adjustable feet:

Yes

31. Additional information:

Pozor: Toto zařízení není určeno pro přípravu všech typů pokrmů běžně připravovaných v troubě. Podrobné informace o použití zařízení a jeho omezeních naleznete v návodu k použití.

32. Number of burners/hot plates:

6

33. Type of gas cooking zones:

Powerfull

34. Burner type:

Brass, detachable

35. Oven Type:

gas static

36. Oven power gas [kW]:

6.00

37. Oven size:

GN 2/1

38. Type of internal part of the appliance 1 (eg oven):

Gas

39. Type of internal part of the appliance 2 (eg oven):

Static

40. Gasket:

Yes

41. Connection to a ball valve:

1/2